

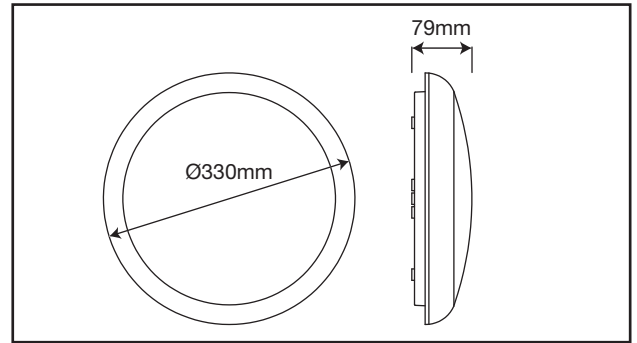
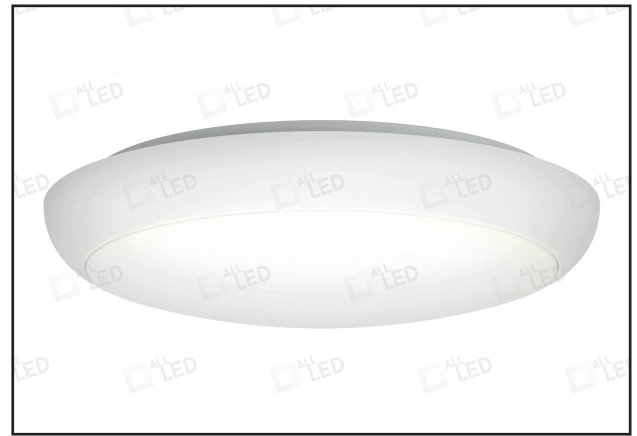
ABG330/CCT

13W LED IP65 IK08 CCT
Slim-Design Bulkhead



PRODUCT FEATURES

- IP65 Rating
- IK08 Shatter Resistant Construction
- CCT Selectable (3000K/4000K/6000K)
- Suitable For Wall & Ceiling Mounting
- Suitable for Indoor, Outdoor & Coastal Applications
- Quick Release Flip-Down Gear Tray
- Push Terminals
- Integrated Besa Mounts
- Premium Grade Polycarbonate
- Wall Or Ceiling Mounting
- Modern Slim-Design



TECHNICAL SPECIFICATIONS

PRODUCT CODE	ABG330/CCT
Bulkhead Type	Standard
Body Material	Polycarbonate
Frame Colour	White
CCT	3000K / 4000K / 6000K
GRI	>80
Ingress Protection	IP65
Lifetime to LM70	30,000 Hrs
Operating Temperature	-20°C ~ +55°C
Operating Voltage	220-240v
Class	II
Frequency	50-60Hz
LED Chip Type	SMD 2835
SDCM	<6
Switching Cycles	<30,000
PF	>0.9
Peak Intensity	422.7cd
Starting Time	0.5s
Lumens	≤1436lm

Driver Technical Specification	
Operating Voltage	220-240v
Max Output Power	13W
Power Factor	PF>0.9
Efficiency %	87%
No Load Power (W)	≤0.5W
Dimmable	No
Class	II
Body Material	Polycarbonate
Frame Colour	White
Switching Cycles	30,000
Ingress Protection	IP65
Ambient Operating Temperature (°C)	-20°C ~ +40°C
Input Frequency (Hz)	50Hz
Guarantee	3 years
Output Type	Isolated Driver
Lifetime	30,000 Hrs

Emergency Technical Specification	
Emergency Power	2W
Emergency Duration	3 Hrs
Battery Type	NI-Cd
Battery Voltage (DCV)	4.8VDC
Battery Current (mAh)	1500mAh

Sensor Technical Specification	
Operating Voltage	220-240v
Rated Load	400W (Capacitive Load) 800W (Resistive Load)
Standby Power	<0.5W
Sensitivity	10% / 50% / 75% / 100%
Hold time	5s / 90s / 5min / 15min
Daylight Sensor	2lux / 10lux / 50lux, disable
Microwave Frequency	5.8 GHz +/- 75MHz
Transmitting Power	<0.2mW
Detection Range	Max (diameter x height): 10m x 6m
Detection Angle	30° ~ 150°
Working Temperature	-20°C ~ 60°C

Standard
ABG330/CCT

Microwave Version
ABG330/CCT/MS

Emergency Version
ABG330/CCT/EM

**Microwave +
Emergency Version**
ABG330/CCT/MS/EM

